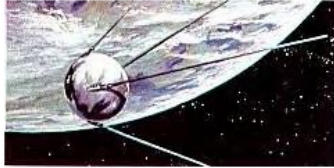


Russia's Space Program at the Half-Century Mark (1957-2007)



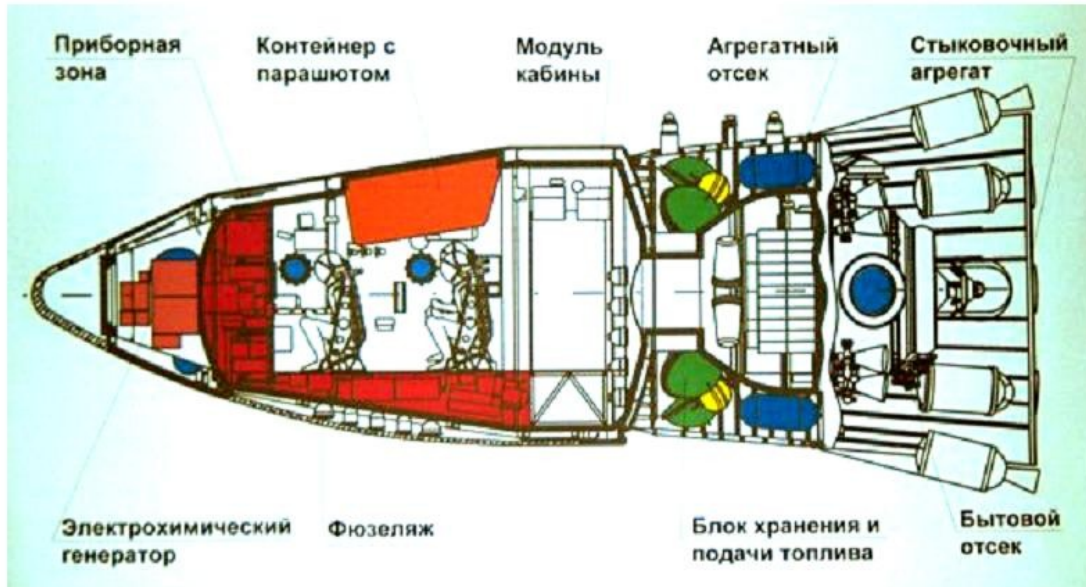
**What has been preserved?
What is in progress?
What lies ahead?
What are the goals?
Alone, or with which partners?**



James Oberg
www.jamesoberg.com

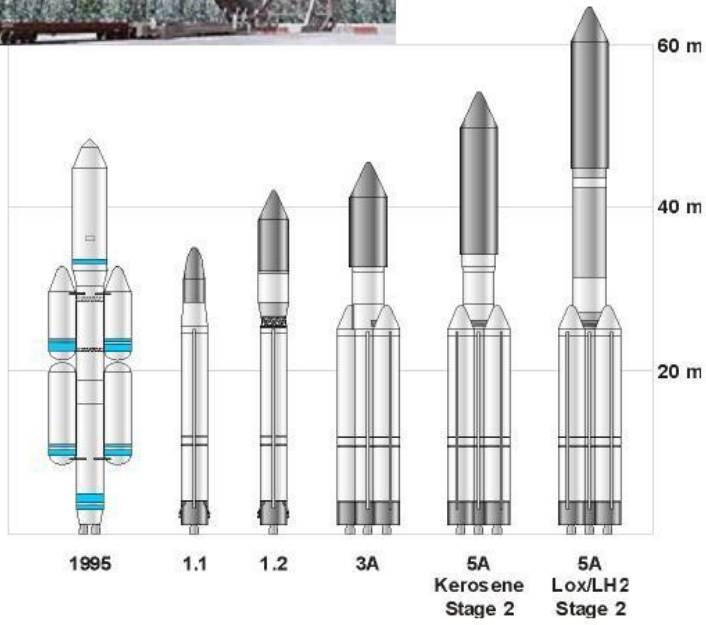
KLIPER

Assemblage of flown designs





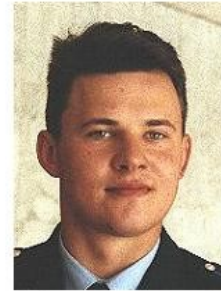
Angara launcher family



Cosmonauts and Sons



1980: a cute home scene of make-believe



2005: Roman Romanenko prepares to follow his father's space steps

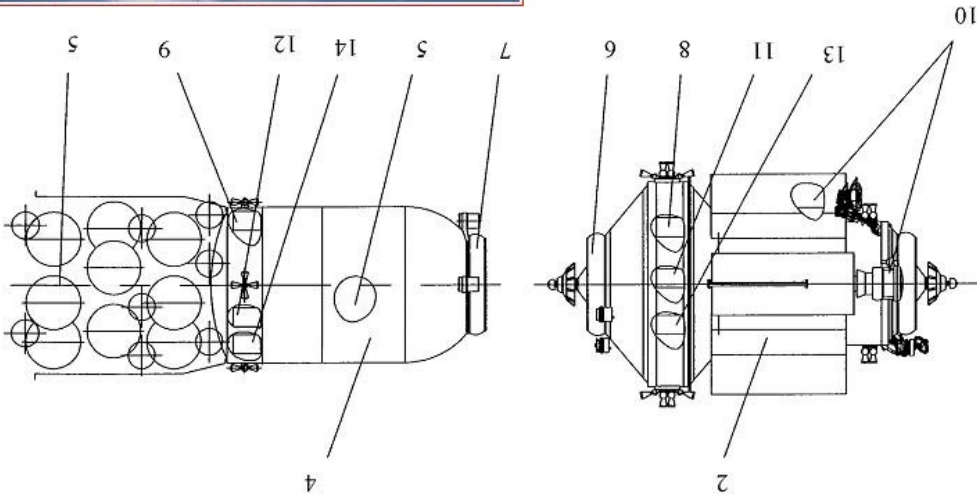


Two of Roman's classmates are also sons of former Soviet cosmonauts – Skvortsov (left), Volkov (right, training for ISS)

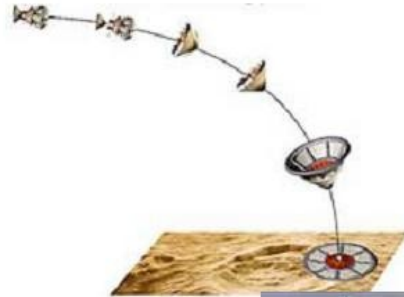




Parom (patent pending)



The “Inflatable Braking Device”



- Two ‘Penetrator’ Mars Probes
- ESA paid for “Inflatable Reentry and Descent Test” (IDRT) ‘Demonstrator’ testing, with planned ISS applications
- ‘Planetary Society’ hitched ride
- Assigned to commercialized SLBM launched from nuclear submarine
- 2001 and 2002 failure data secret



Commercial Soyuz translunar

